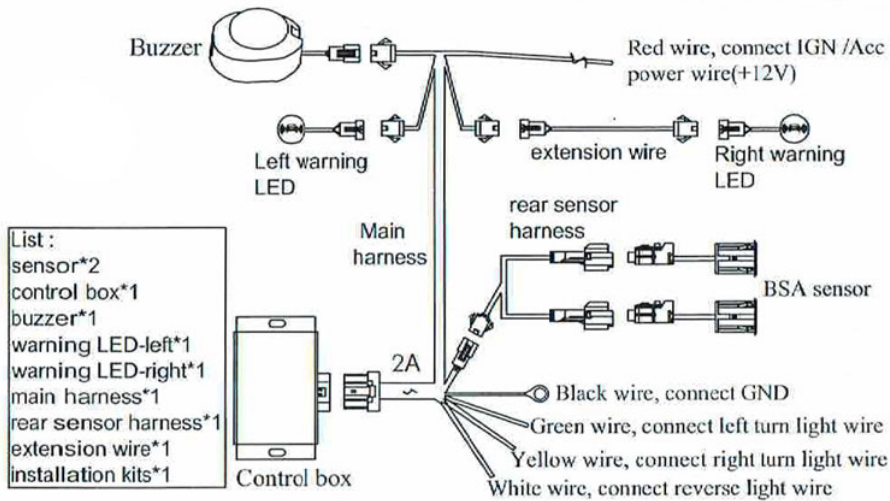
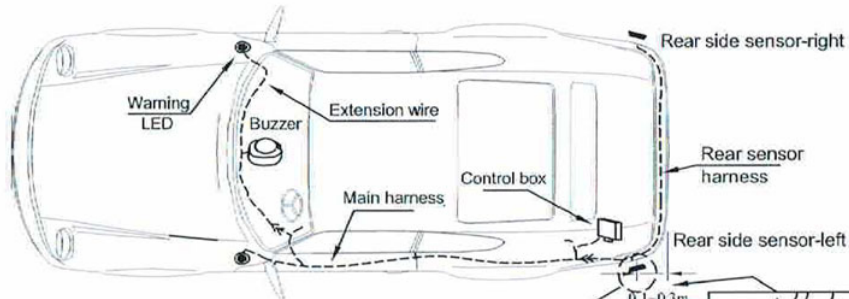


Installation Guide

Product Constitution

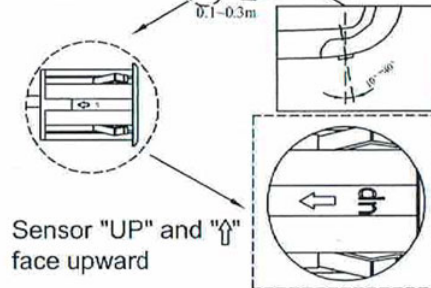


Sensor Installation



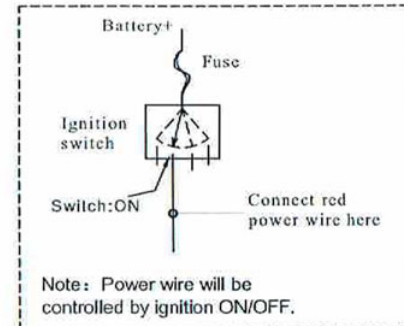
Notice:

- a. Sensor installation height:0.5-0.7m. Sensor surface can't face ground or the system will give out false alarm easily;
- b. Please remove the burrs on the hole after drilling, ensure the size of the hole and make sure there's no sponge, metal board and plastic contacting with sensor or the system will work abnormally (eg: false alarm);
- c. Rear side sensor should be installed at the side of the rear sensor.

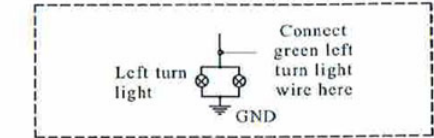


Connection Guide

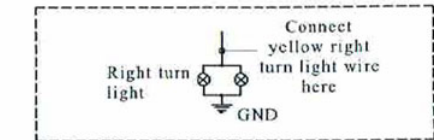
1. Connect power wire(red)



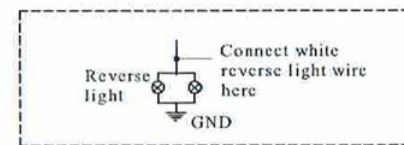
2. Connect left turn light wire (green)



3. Connect right turn light wire (yellow)



4. Connect reversing light wire(white)



5. Connect GND

Connect the ground ring (black wire) to a metal part on vehicle body.

Remark of installation, examination and use

1. Installation

- a. This product is applied to 12V battery earth vehicle. Please validate the function before installation;
- b. In order to ensure the wire length and easy wire laying, please lay the control box at the left side of the trunk;
- c. Please connect the cable according to the lable;
- d. Please make sure the wiring harness is fixed well and far away from vent-pipe and avoid pulling it heavily;

2. FAQs

- a. The system is responseless after installed
Please check the wiring connection and 2A fuse.
- b. The display or buzzer alarms even there's no obstacle
Please check if the sensor "UP" or "DOWN" faces up and the sensor doesn't face ground.

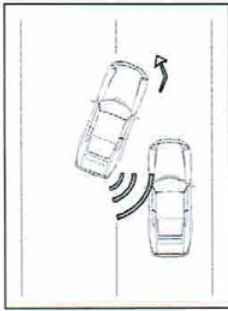
3. USE

- a. Please exam the function after installation and before use;
- b. If there's ice or dirt on the surface of the sensor, please clean it immediately; paint will affect the detection ability;
- c. It will give out false alarm easily when running on slop, grassland or bumpy road;
- d. Obstacle like soft sponge, lubricous sphere and sharp thing can not be detected easily.

Blind Spot Assist System

Manual

Function: blind spot assist (lane changing assist)

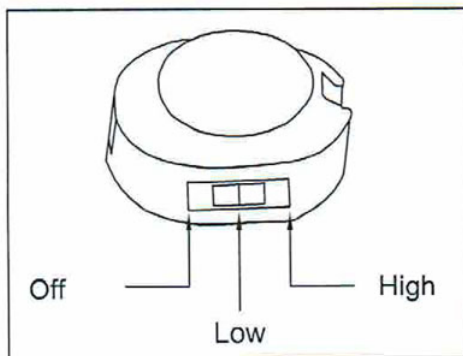


- * When going forward, the two side sensor monitor the no zone of the two side mirror, the warning lights installed next to the A pillar show the direction.
- * When there's obstacle being detected by left or right sensor and turn at the corresponding direction, the warning will flash and the buzzer will give out "bi-bi" warning;
- * The detection range is about 3m(lengthways)*3m(transverse).

Setup switches on the ECU

BSA Function	on (default)
	off
Active mode of BSA sensor	All time (default)
	Turning
Sensitivity of the sensor	Normal (default)
	Low

Setup switches on the Buzzer



*Note: Blind Spot Assist System is just an auxiliary equipment, drivers need to take responsibility of driving safety.